

Junction Box

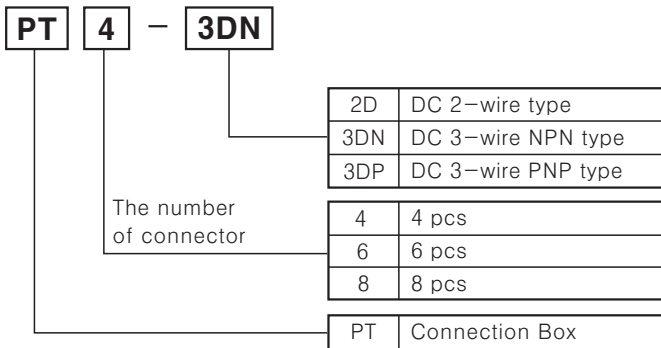
Features

- Red LED status indication
- Able to drive multiple sensors by single power
- Realization of convenience for wiring or power line
- IP67 rated waterproof structure (IEC standard) and IP66 for protection cover



⚠ Please read "Caution for your safety" in operation manual before using.

Ordering information



Type

| Appearances | Model | |
|-------------|----------------|----------------------------------|
| | DC 2-wire type | PT4-2D |
| | DC 3-wire type | PT4-3DN PT4-3DP |
| | DC 2-wire type | PT6-2D |
| | DC 3-wire type | PT6-3DN PT6-3DP |
| | DC 2-wire type | PT8-2D |
| | DC 3-wire type | PT8-3DN PT8-3DP |

Specifications

| Model | PT4-2D | PT4-3DN PT4-3DP | PT6-2D | PT6-3DN PT6-3DP | PT8-2D | PT8-3DN PT8-3DP |
|----------------------------------|---|--------------------|--------------|--------------------|--------------|--------------------|
| Power supply (Operating voltage) | 12-24VDC (10-30VDC) | | | | | |
| Leakage current | 0.5mA | | | | | |
| Connection life cycle | Min. 200 times | | | | | |
| Cable tensile strength | 10kgf(98N) / 15s | | | | | |
| Insulation resistance | Min. 50MΩ (at 500VDC mega) | | | | | |
| Dielectric strength | 1500VAC 50/60Hz for 1minute | | | | | |
| Vibration | 1mm amplitude at frequency of 10 ~ 55Hz in each of X, Y, Z directions for 2 hours | | | | | |
| Shock | 500m/s ² (50G) in X, Y, Z direction for 3 times | | | | | |
| Indicator | Power indicator : Green, Operation indicator : Red | | | | | |
| Ambient temperature | -25 ~ +70℃ (at non-freezing status) | | | | | |
| Storage temperature | -30 ~ +80℃ (at non-freezing status) | | | | | |
| Ambient humidity | 35 ~ 95%RH | | | | | |
| Protection | (★) IP66 (IEC standard) | | | | | |
| Unit weight | Approx. 630g | | Approx. 690g | | Approx. 745g | |

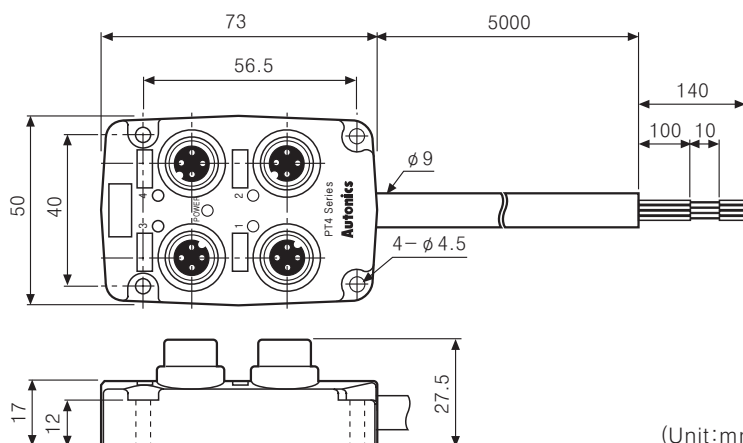
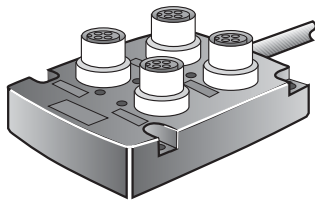
※ **(★)** When using a cover for waterproof : IP67 (IEC standard)

- (A) Counter
- (B) Timer
- (C) Temp. controller
- (D) Power controller
- (E) Panel meter
- (F) Tacho/Speed/Pulse meter
- (G) Display unit
- (H) Sensor controller
- (I) Switching power supply
- (J) Proximity sensor**
- (K) Photo electric sensor
- (L) Pressure sensor
- (M) Rotary encoder
- (N) Stepping motor & Driver & Controller
- (O) Graphic panel
- (P) Production stoppage models & replacement

PT Series

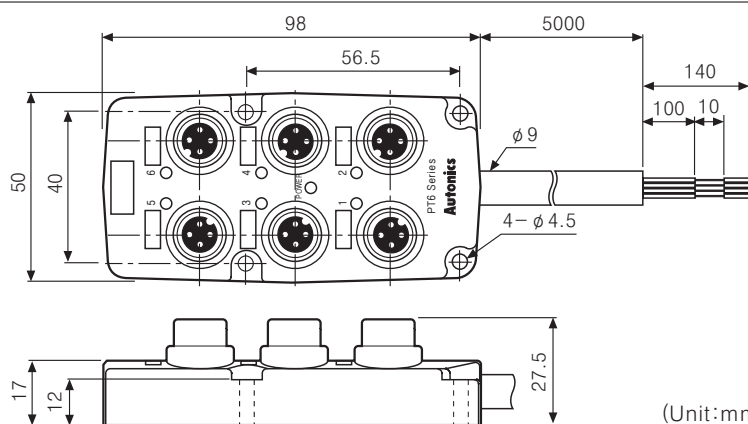
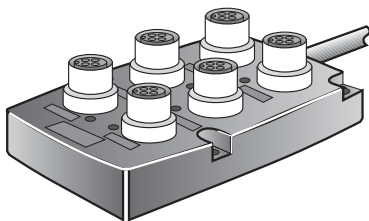
Dimensions

●PT4-□□



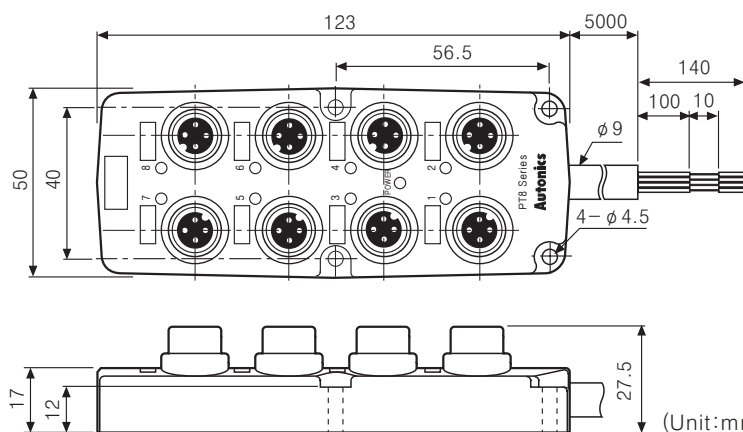
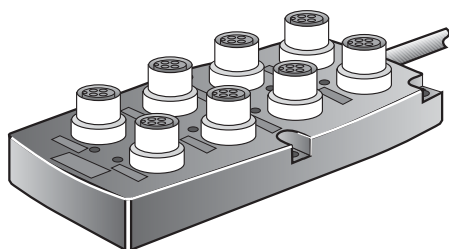
(Unit:mm)

●PT6-□□



(Unit:mm)

●PT8-□□



(Unit:mm)

Waterproof cover

| Form | Model | Applicable model |
|--|------------------|--|
| | P96-M12-1 | <ul style="list-style-type: none"> ●PT4-□□□ ●PT6-□□□ ●PT8-□□□ |
| <p>※ This protection cover is used for protecting unused connection hole from water or oil etc. ※ If using waterproof cover, IP67 is available. ※ Please tighten it.</p> | | |

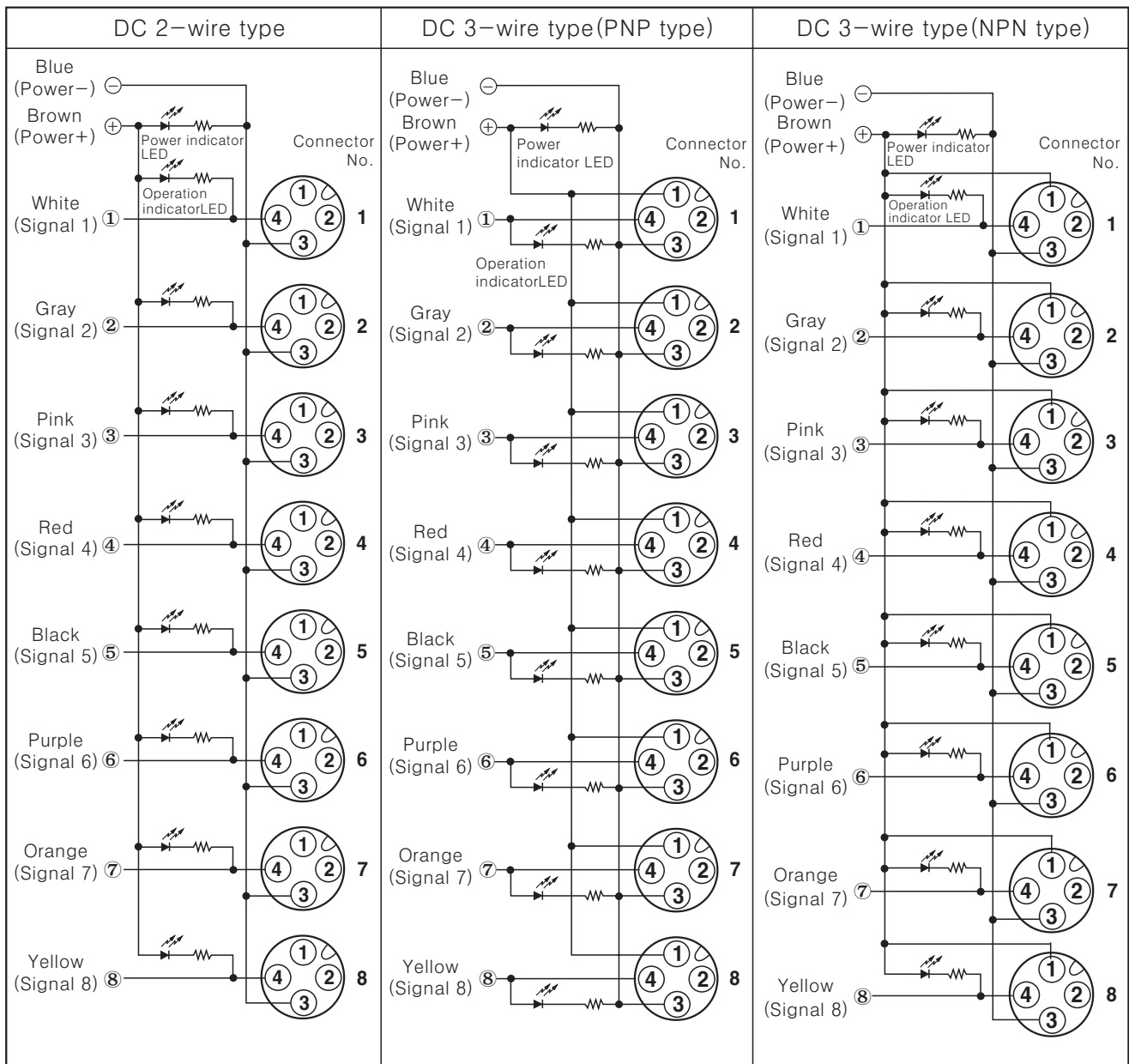
※ Waterproof cover is sold separately.

Protection cover

| Form | Applicable model |
|---|--|
| | <ul style="list-style-type: none"> ●PT4-□□□ ●PT6-□□□ ●PT8-□□□ |
| <p>※ This protection cover is used for protecting unused connection hole from dust or particle etc. (IP67 is not available) ※ Please push it into hole.</p> | |

Junction Box

Connections



(A) Counter

(B) Timer

(C) Temp. controller

(D) Power controller

(E) Panel meter

(F) Tacho/Speed/Pulse meter

(G) Display unit

(H) Sensor controller

(I) Switching power supply

(J) Proximity sensor

(K) Photo electric sensor

(L) Pressure sensor

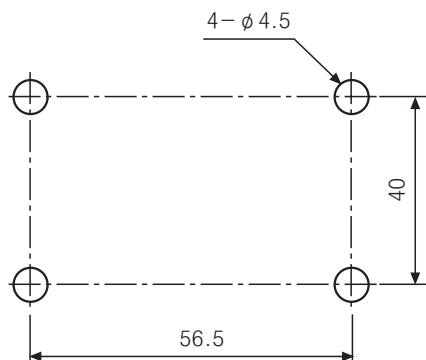
(M) Rotary encoder

(N) Stepping motor & Driver & Controller

(O) Graphic panel

(P) Production stoppage models & replacement

Mounting dimensions



*installation 4 / 6 / 8 holes are same.

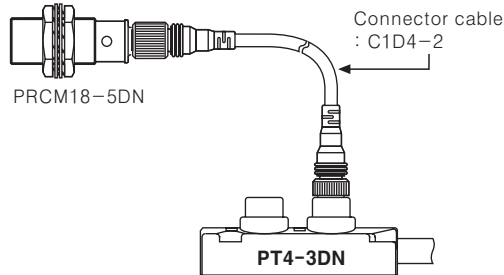
(Unit:mm)

PT Series

■ Connections

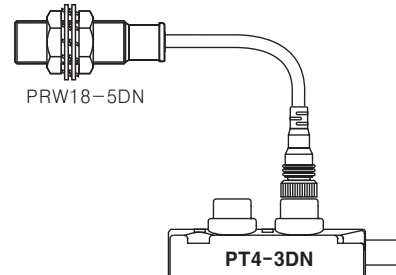
● Connector type (PRCM Series)

Connection cable should be used for connector type of proximity sensor.



● Cable outgoing type (PRW Series)

Cable outgoing type can be connected directly but when the installation distance is longer, please use connection cable.



■ Applicable models

| Junction box | Applicable proximity sensor | | Connection |
|--------------|-----------------------------|---|---|
| PT□-2D | DC 2-wire type | PRCMT12-2DO/DC, PRCMT12-4DO/DC, PRCMT18-5DO/DC, PRCMT18-8DO/DC, PRCMT30-10DO/DC, PRCMT30-15DO/DC | • Connection cable |
| | | PRWT12-2DO/DC, PRWT12-4DO/DC, PRWT18-5DO/DC, PRWT18-8DO/DC, PRWT30-10DO/DC, PRWT30-15DO/DC | • Direct connection • Connection cable |
| PT□-3DN | DC 3-wire type (NPN type) | PRCM12-2DN/DN2, PRCM12-4DN/DN2, PRCM18-5DN/DN2, PRCM18-8DN/DN2, PRCM30-10DN/DN2, PRCM30-15DN/DN2, PRCML18-5DN/DN2, PRCML18-8DN/DN2, PRCML30-10DN/DN2, PRCML30-15DN/DN2. | • Connection cable |
| | | PRW12-2DN/DN2, PRW12-4DN/DN2, PRW18-5DN/DN2, PRW18-8DN/DN2, PRW30-10DN/DN2, PRW30-15DN/DN2, PRWL18-5DN/DN2, PRWL18-8DN/DN2, PRWL30-10DN/DN2, PRWL30-15DN/DN2. | • Direct connection • Connection cable |
| PT□-3DP | DC 3-wire type (PNP type) | PRCM12-2DP/DP2, PRCM12-4DP/DP2, PRCM18-5DP/DP2, PRCM18-8DP/DP2, PRCM30-10DP/DP2, PRCM30-15DP/DP2, PRCML18-5DP/DP2, PRCML18-8DP/DP2, PRCML30-10DP/DP2, PRCML30-15DP/DP2. | • Connection cable |
| | | PRW12-2DP/DP2, PRW12-4DP/DP2, PRW18-5DP/DP2, PRW18-8DP/DP2, PRW30-10DP/DP2, PRW30-15DP/DP2, PRWL18-5DP/DP2, PRWL18-8DP/DP2, PRWL30-10DP/DP2, PRWL30-15DP/DP2. | • Direct connection • Connection cable |

*It is enable to use general outgoing cable type of proximity sensor with junction box, if plug type connector cable is used.

■ Proper usage

1. Junction box is only for DC power, do not use with AC power.
2. Be careful to use DC 2-wire and DC 3-wire type separately and NPN / PNP types are separated in DC 3-wire type.
3. Please be sure of correct wiring of power cable (Blue : -, Brown : +).
4. Green LED will not turn on when the power polarity is reversed.
5. Please connect signal line following the diagram and load must be installed when operating sensor.
6. Please check Red LED when operating sensor.
7. Please use protection cover or waterproof cover (P96-M12-1) on unused connectors.

*The protection cover is attached on connection part of the box. Please be careful to keep this cover.

*Waterproof cover (P96-M12-1) is sold separately.